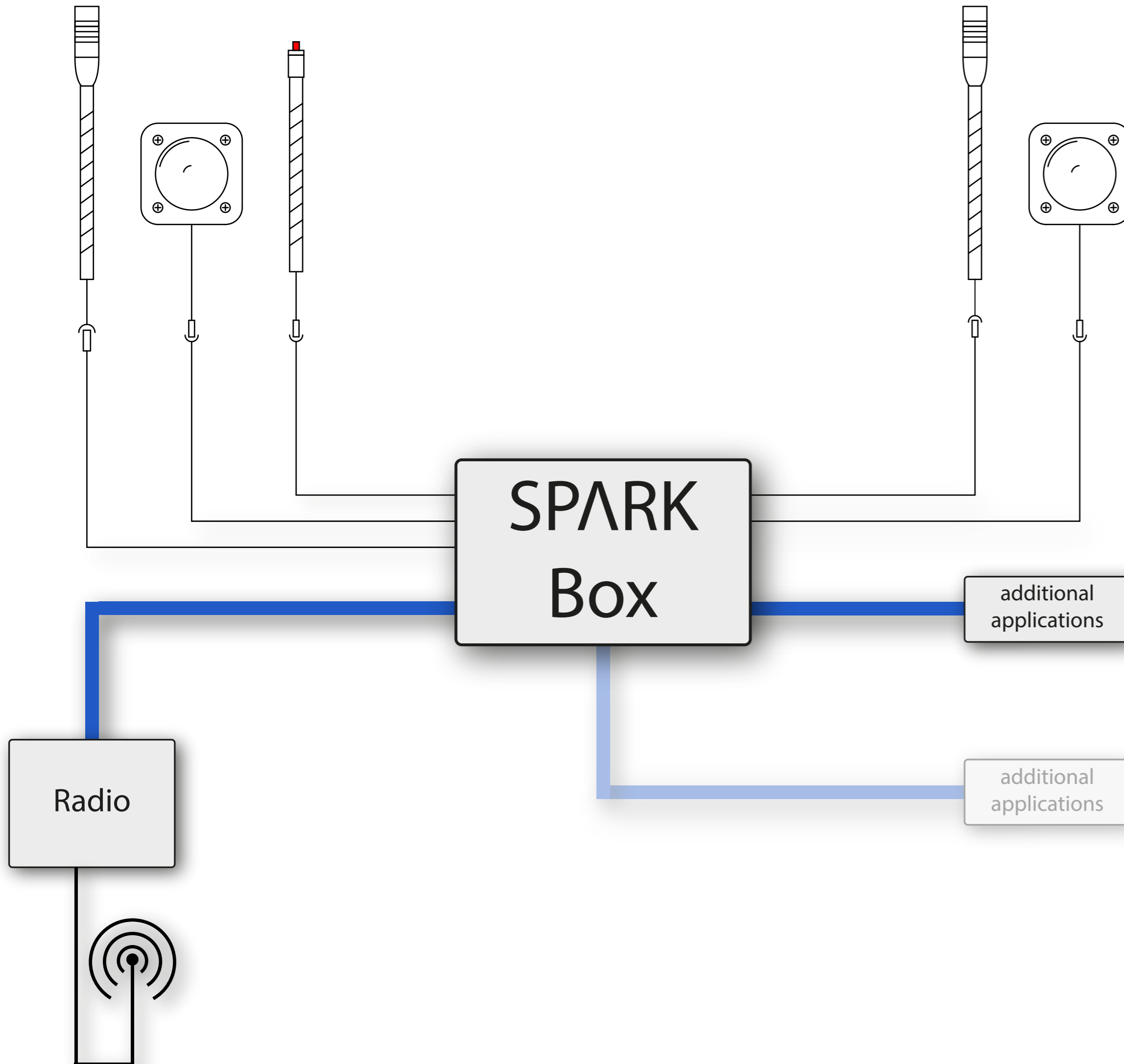


FT SPARK

(Hands-Free) Communication Solution
for in-house or in-vehicle use



Components

SPARK Box

- main interface box
- radio system connector
- connectivity for up to 3 PTT switches (foot or gooseneck)
- connectivity for 1 or 2 gooseneck microphones
- allows simultaneous usage from 2 workspaces (e.g. for left-hand or right-hand drive), system is automatic locking the unused microphone
- connectivity for PTT LED
- connector for system plug with all-pin-wired-connection from the radio for further usage (on request)

SPARK PTT (foot switch)

- IP 54 protection
- robust and oil-resistant
- stainless-steel housing
- easy-to-service (connected via IP54 connector)

Gooseneck PTT

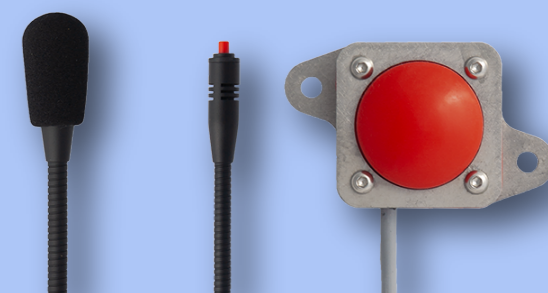
- easy and intuitive handling
- small cross-section for confined installation spaces

Gooseneck Microphone

- noise-cancelling effect via directivity
- superior voice quality even in challenging environments

Harness

- easy-to-service components due to plug-in connectors
- AF connections are shielded
- oil-resistant harness
- tailor-made cable lengths (on request)



Currently available for the following radios

Kenwood

For NX700/NX5000 series. With one all-pin-wired external radio-system-plug for system extensions. An additional radio-system-connection is inside the box available.

Motorola

For DM4000 series and MTM5000 series. All-pin-wired external connection is feasible on request. A second all-pin-wired connection is available inside the box.

Connectivity-solutions for additional radios are feasible (on request).